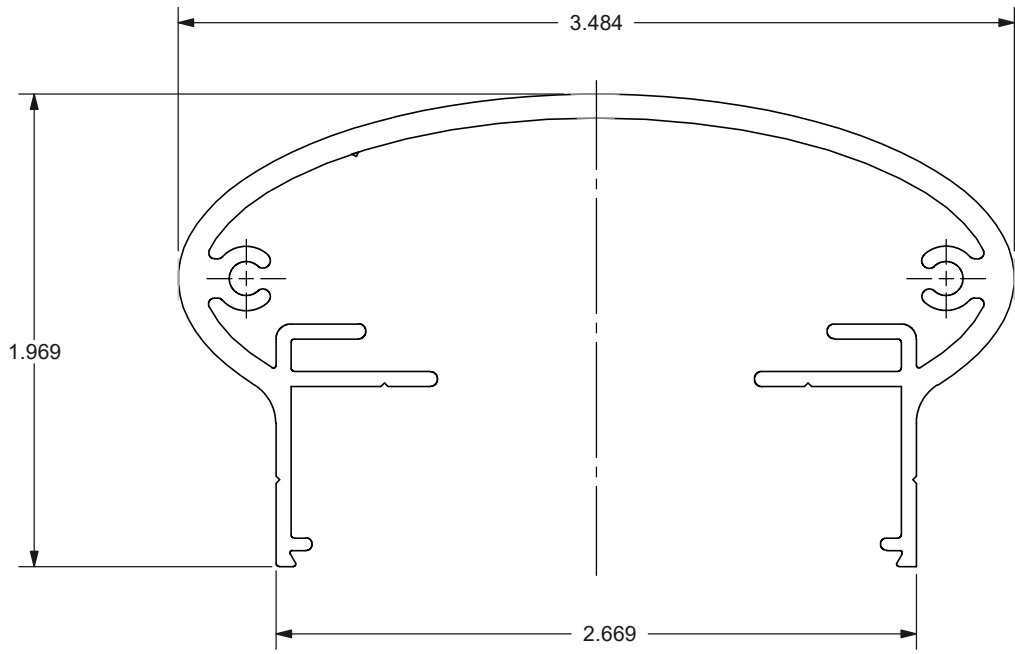


| ECR/DCR | | REV. | REVISIONS | | DATE | APPD |
|---------|---|------|-----------------|--|----------|------|
| | | | DESCRIPTION | | | |
| - | - | | INITIAL RELEASE | | MM-DD-YY | - |



| | | |
|--------------------------|------|------|
| DIMENSIONS ARE IN INCHES | | |
| TOLERANCES: | | |
| DRAWN | NAME | DATE |
| CHECKED | | |
| ENG APPR: | | |
| MFG APPR: | | |
| Q.A. | | |
| COMMENTS: | | |
| MATERIAL | | |
| FINISH | | |
| DO NOT SCALE DRAWING | | |



RailFX
CABLE • SPECIALTY

RailFX
300 TOP RAIL

| | | |
|------------|----------|--------------|
| SIZE | DWG. NO. | REV. |
| A | RFX300 | - |
| SCALE: 3/2 | WEIGHT: | SHEET 1 OF 1 |

PROPRIETARY AND CONFIDENTIAL

THE INFORMATION CONTAINED IN THIS DRAWING IS THE SOLE PROPERTY OF NATIONWIDE INDUSTRIES. ANY REPRODUCTION IN PART OR AS A WHOLE WITHOUT THE WRITTEN PERMISSION OF NATIONWIDE INDUSTRIES IS PROHIBITED.