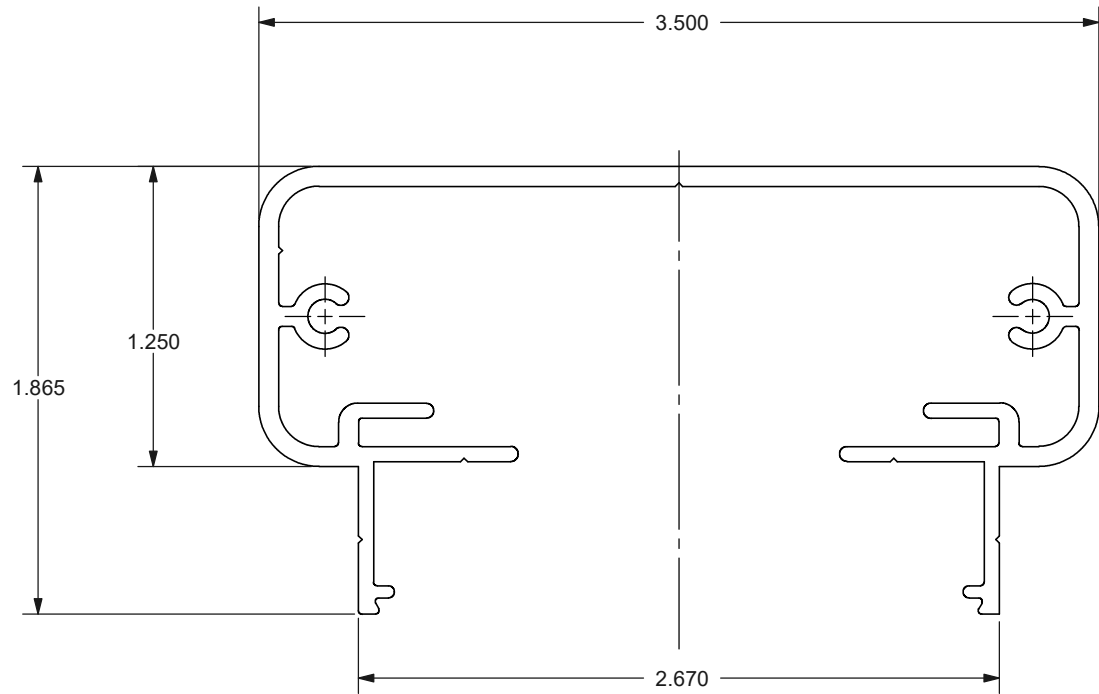


REVISIONS				
ECR/DCR	REV.	DESCRIPTION	DATE	APPD
-	-	INITIAL RELEASE	MM-DD-YY	-



DIMENSIONS ARE IN INCHES		
TOLERANCES:		
DRAWN	NAME	DATE
CHECKED		
ENG APPR:		
MFG APPR:		
Q.A.		
COMMENTS:		
MATERIAL		
FINISH		
DO NOT SCALE DRAWING		

**RailFX**  
CABLE • SPECIALTY

**RailFX**  
**200 TOP RAIL**

SIZE	DWG. NO.	REV.
A	RFX200	-
SCALE: 3/2	WEIGHT:	SHEET 1 OF 1

**PROPRIETARY AND CONFIDENTIAL**

THE INFORMATION CONTAINED IN THIS DRAWING IS THE SOLE PROPERTY OF NATIONWIDE INDUSTRIES. ANY REPRODUCTION IN PART OR AS A WHOLE WITHOUT THE WRITTEN PERMISSION OF NATIONWIDE INDUSTRIES IS PROHIBITED.